

# PS430

(Code: G520)

## For Machine Code: G035 INSTALLATION GUIDE

### ⚠ Caution

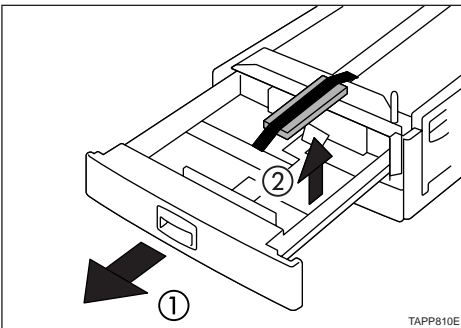
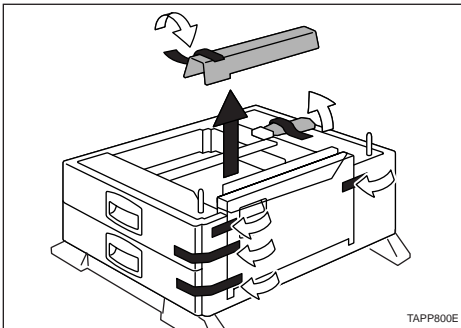
- Before installing options, the machine should be turned off and unplugged for at least thirty minutes. Components inside the machine become very hot, and can cause a burn injury if touched.
- Before moving the machine, unplug the power cord from the outlet. If the cord is unplugged abruptly, it could become damaged. Damaged plugs or cords can cause an electrical or fire hazard.
- When lifting the machine, use the grips on both sides. The machine could break or cause an injury if dropped.

### ⚠ Important

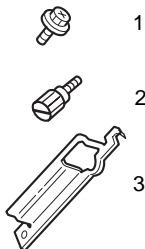
- ❑ Confirm a code by the nameplate of the printer.

**1** Confirm that the printer is turned off, and pull the plug out of the wall outlet.

**2** Remove the tape that holds the paper bank, and remove the packing material.



**3** Remove the screw, knob screw and lock plate from inside the packing material.

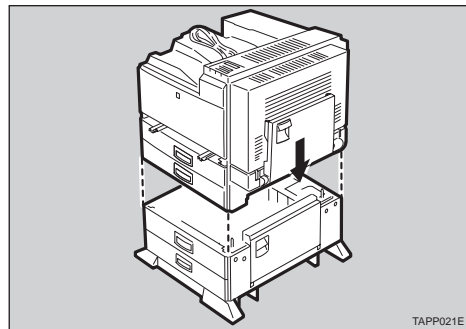


1. Screw

2. Knob Screw (Finger type)

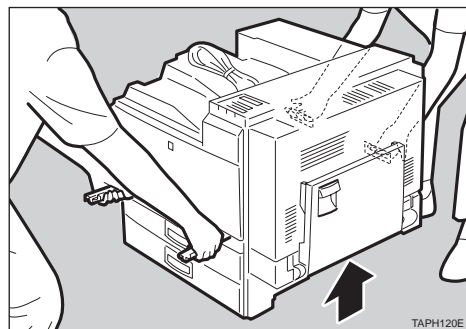
3. Lock Plate

**4** Align the printer over the paper bank, and then lower it gently onto the paper bank.

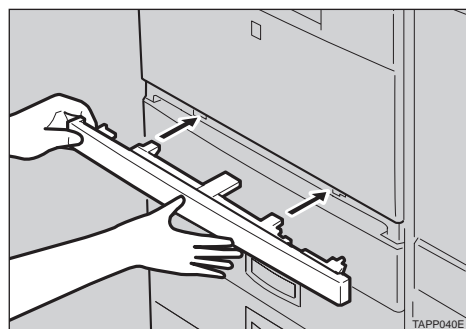


### ⚠ Important

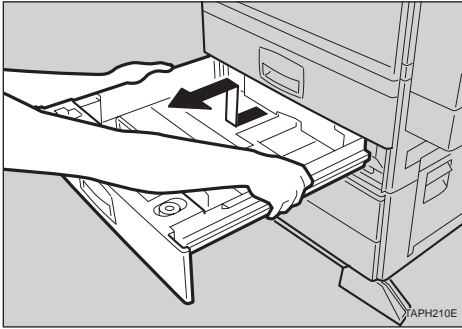
- ❑ When lifting the printer, pull out the grips from the front side of the printer. Hold the front side grips, and hold the inset grips on the rear side.
- ❑ The printer should be held by at least two people.



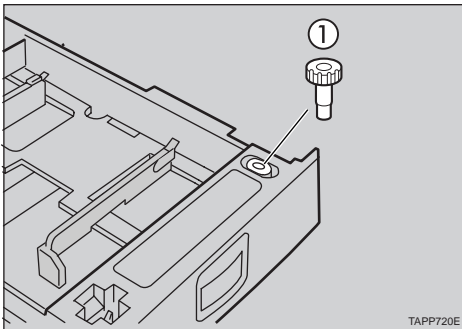
**5** Push the grips into the printer. Take out the cover inside the Tray 2 and attach it between the paper tray and the front cover.



- 6** Pull the second paper tray (Tray 2) up until it stops. After that, lift it slightly, then pull it out.



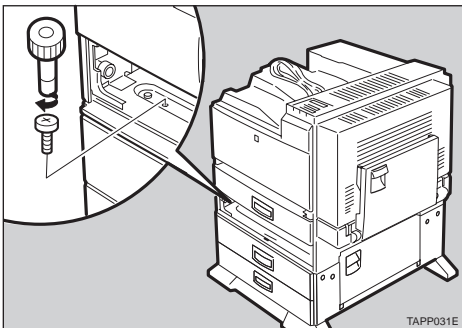
- 7** Pull out the first paper tray (Tray 1), and take the screwdriver (①) from the tray.



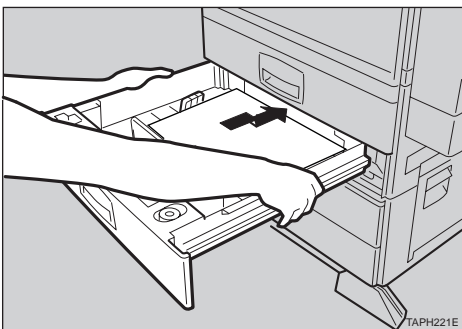
**Note**

- Be sure to return the screwdriver to the paper tray after using it.

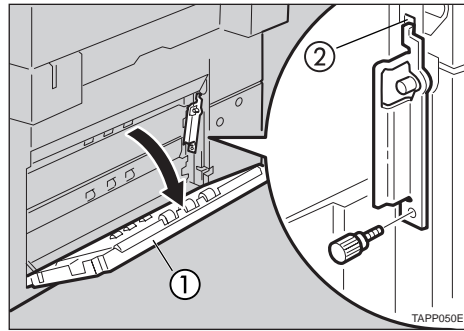
- 8** Lock the paper bank and the printer with the screw.



- 9** Replace the second paper tray (Tray 2) into the printer.

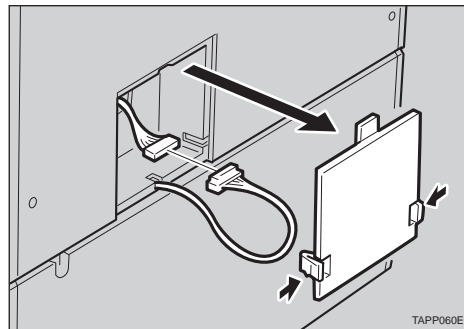


- 10** Open the lower vertical paper feed cover on the right side of the paper bank (①). Hang the lock plate hook in the hole inside (②), and then fasten the plate with the knob screw using your fingers.

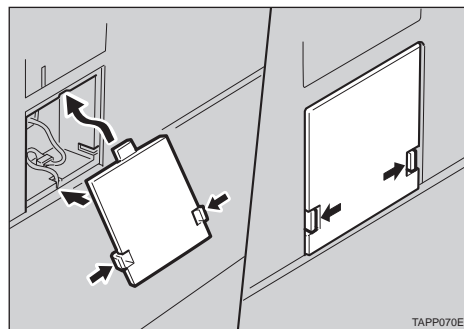


- 11** Close the lower vertical paper feed cover.

- 12** Open the connector cover, and attach the connector cables.



- 13** Close the connector cover.



**Note**

- Print a configuration page to confirm that the paper bank is properly installed. For instructions on how to print a configuration page, see "Printing the Test Page" in the "Operating Instructions" that comes with the printer.